

## 7. SPARE PARTS

### 7.1 ROC025-ROC040 spare parts

Where necessary, the parts of the WTS must only be replaced by qualified personnel, when the appliance is off and depressurised. In all cases, contact the supplier or the manufacturer directly.

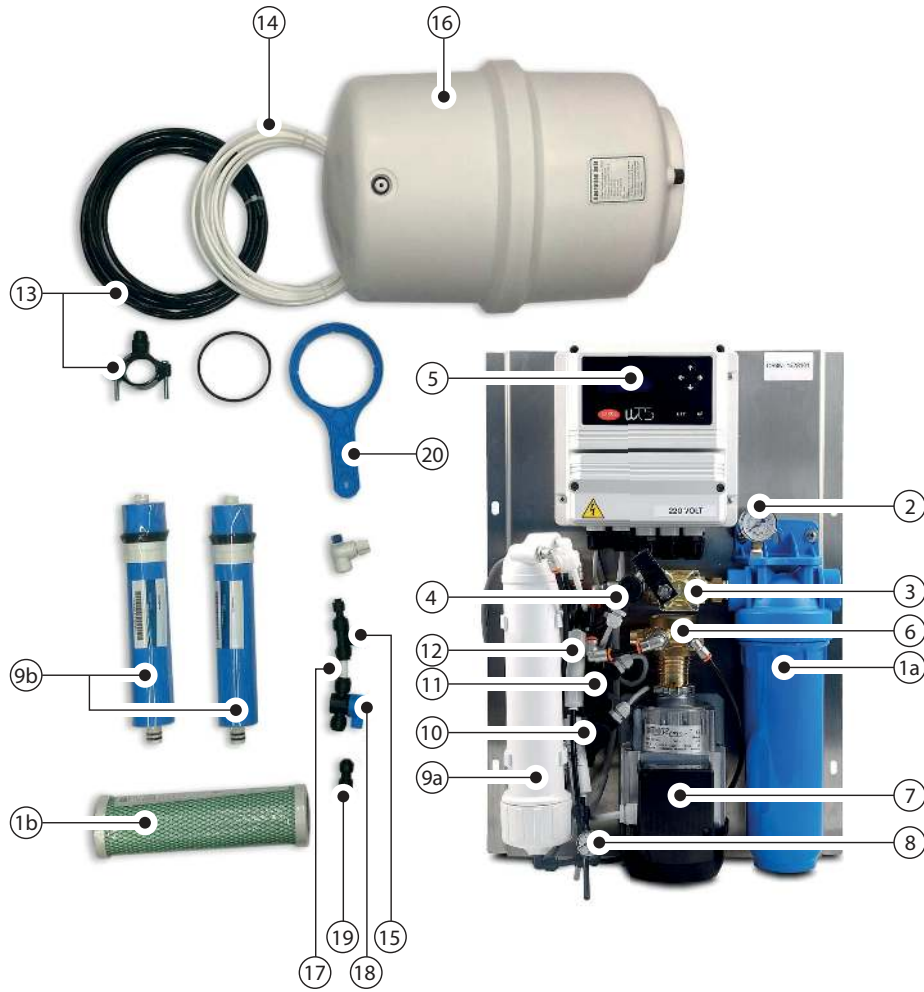


Fig. 7.a

Rif. n°	Code	Description
1a	ROK00HOU1	Single BLUE container for water inlet filter, 10" - 1/2" connection
1b	ROK00FLT2	Cartridge CBEC 10" - 10 micron
2	- - -	Pressure gauge 0-6 bar - radial connection 1/8"
3	ROK00IV12	Water inlet solenoid valve with coil 230 V - 1/2"
4	ROK00PSLP	N.O. min. pressure switch, made of brass, calibrated at 1 bar - 1/4"
5	ROK00EP01	Preset electronic control board
6	ROK00PUMP	Pump 150 l/h
7	ROK00MOT5	Single phase, 230 V, 50/60 Hz, 245 W motor
8	ROK00MAK1	Kit of pressure gauges for permeate, dia. 25, installed on T-shaped quick coupling (for dia. 6 pipe)
9a	ROK00VESS	Vessel for membrane 2" (there are two on ROC040 models)
9b	ROK00MEMB	Osmotic membrane (there are two on ROC040 models)
10	ROK00PSLL	Permeate N.C. min. pressure switch, calibrated at 2 bar
11	ROK00PSHL	Permeate N.C. max. pressure switch, calibrated at 4 bar
10-11	ROK00PSK0	Kit of min./max. pressure switches installed on PVC mount
12	ROK00FR25	Drain adjuster 800 for ROC025
	ROK00FR40	Drain adjuster 2 x 600 for ROC040 (required quantity: 2)
13	ROK00BR08	Black pipe, dia. 8 mm for water drain with bracket connector under the sink (L = 3 m)
14	ROK00P064	PE white pipe, dia. 6 - whole coil L = 100 m
15	ROK00TEE1	T-shaped connector with quick couplings for dia. 10 pipe
	ROK00RD10	Reduction connection, dia. 10-6 with quick coupling
16	ROK00KTVE	Kit of additional expansion vessel, capacity 15 l + pipe and connectors
	ROK00VE15	Expansion vessel (spare part without pipes and connectors)
17	ROK00P107	PE white pipe, dia. 10, for permeate line - whole coil L = 150 m
18	ROK00VALS	Quick coupling ball valve for dia. 10 pipe
19	- - -	Reduction connection, dia. 10-8 with quick coupling for drain pipe
20	ROK00WREN	Spanner for 10" filter tightening

Tab. 7.a

7.2 ROC060% spare parts

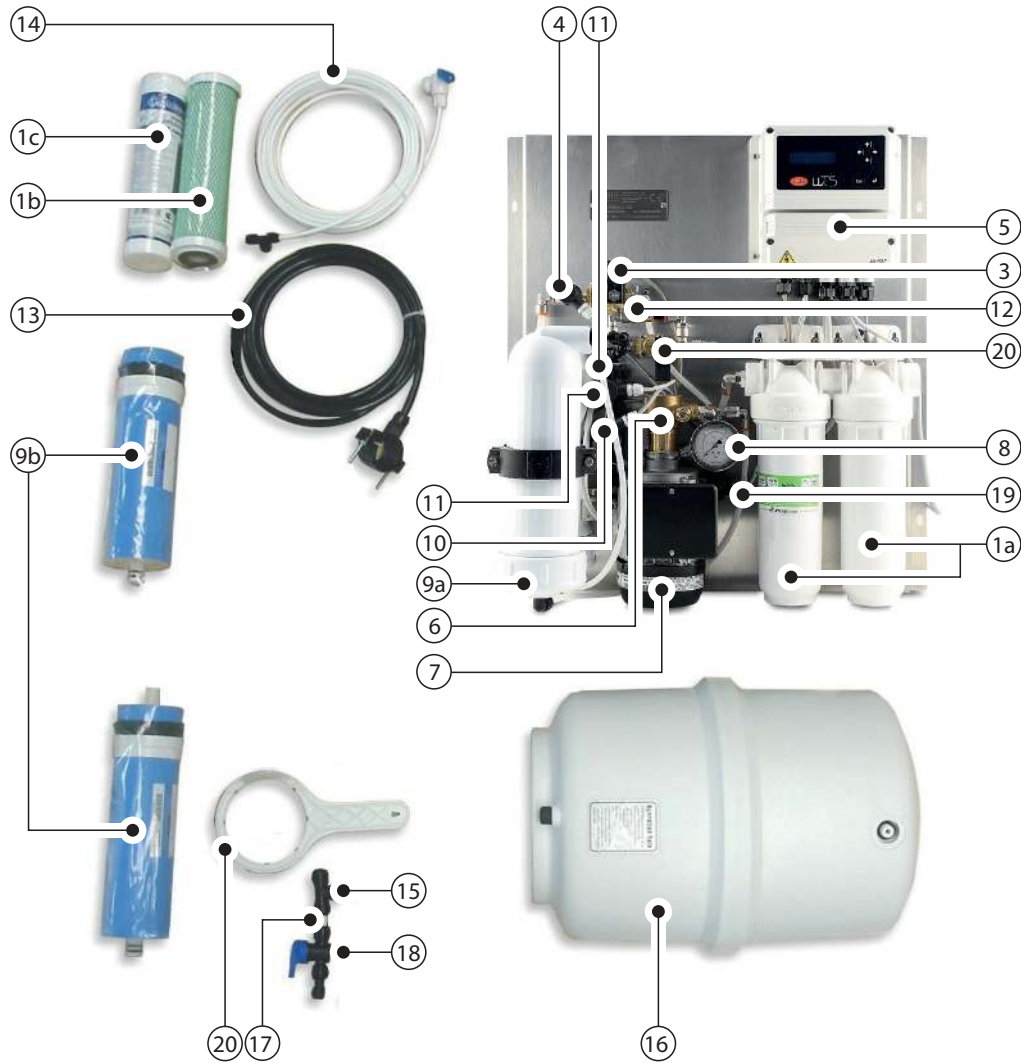


Fig. 7.b

Rif. n°	Code	Description
1a	ROKL00HOU1	Double WHITE container for water inlet filter, 10" - 1/2" connection
1b	ROKC00FLT1	Spare filter cartridge CBEC 10" – 5 micron
1c	ROKC00FLT3	Spare filter cartridge CPP 10" – 5 micron
3	ROKL00IV12	Water inlet solenoid valve with coil 230 V – 1/2"
4	ROKC00PSLP	N.O. min. pressure switch, made of brass, calibrated at 1 bar - 1/4"
5	ROKC00EP01	Preset electronic control board
6	ROKC00PU00	Pump 300 l/h
7	ROKC00MOT5	Single phase, 220 V, 50/60 Hz, 245 W motor
8	ROKL00MA16	Stainless steel, dia. 63 pressure gauge, 0-16 bar, with brass connector - 1/4" rear connection
9a	ROKC00VS28	Vessel for membrane 2.8"
9b	ROKL00MEMB	Membrane 2.8" (1 pcs.)
10	ROKL00PSLL	Permeate N.C. min. pressure switch, calibrated at 2 bar
11	ROKL00PSHL	Permeate N.C. max. pressure switch, calibrated at 4 bar
10-11	ROKC00PSK0	Kit of min./max. pressure switches installed on PVC mount
12	- - -	Drain adjuster with check valve
13	ROKC00BR08	Black pipe, dia. 8 mm for water drain with bracket connector under the sink (L = 3 m)
14	ROKC00P064	PE white pipe, dia. 6 - whole coil L = 100 m
15	ROKC00TEE1	T-shaped connector with quick couplings for dia. 10 pipe
16	ROKC00KTVE	Kit of additional expansion vessel, capacity 15 l + pipe and connectors
	ROKC00VE15	Expansion vessel (spare part without pipes and connectors)
17	ROKC00P107	PE white pipe, dia. 10, for permeate line - whole coil L = 150 m
18	ROKC00VALS	Quick coupling ball valve for dia. 10 pipe
19	ROKL00PSHP	Pump max. pressure switch, in brass, calibrated at 12 bar - 1/4" - N.C.
20	ROKL00IV14	Flushing solenoid valve, 230 V - 1/4"
21	ROKL00EC01	Conductivity meter for permeate conductivity measurement
22	ROKC00WREN	Spanner for 10" filter tightening

Tab. 7.b