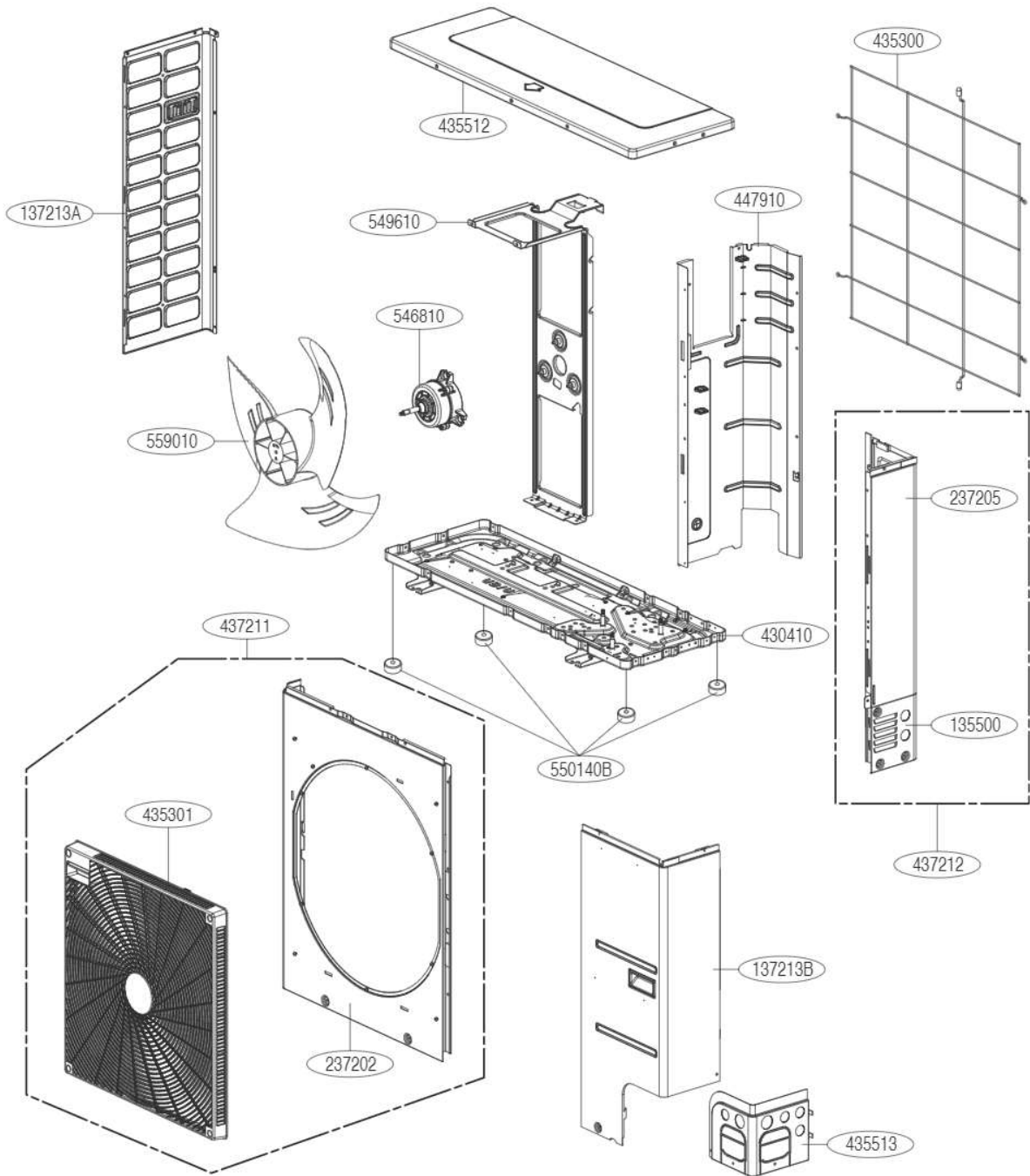
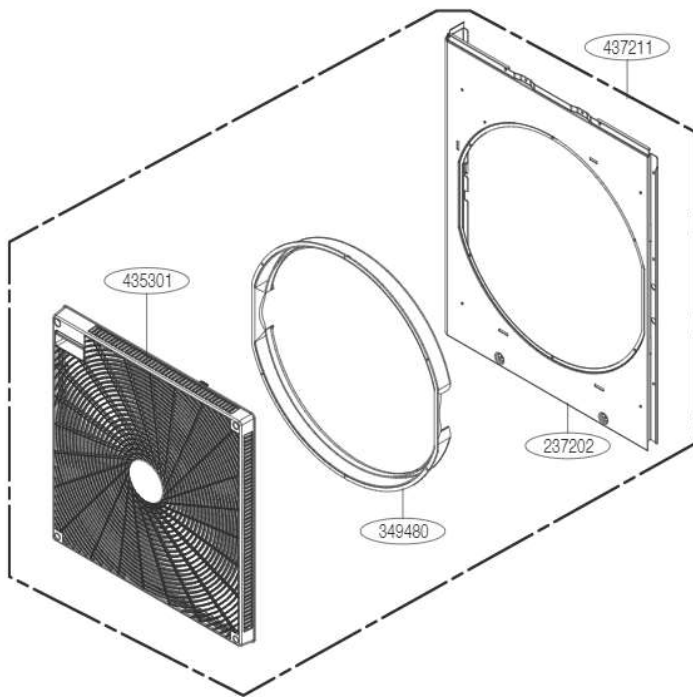


Outdoor Unit

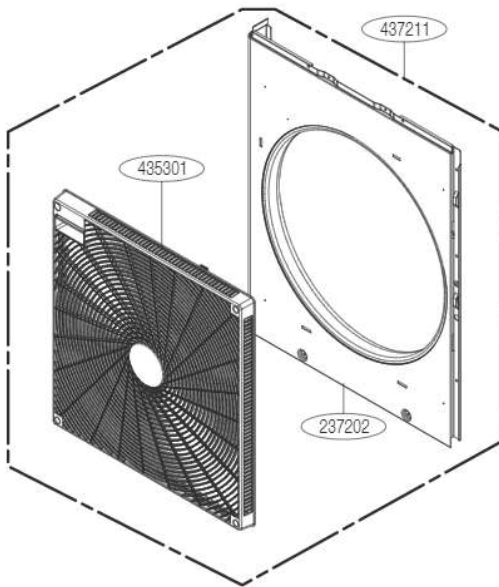


Exploded View

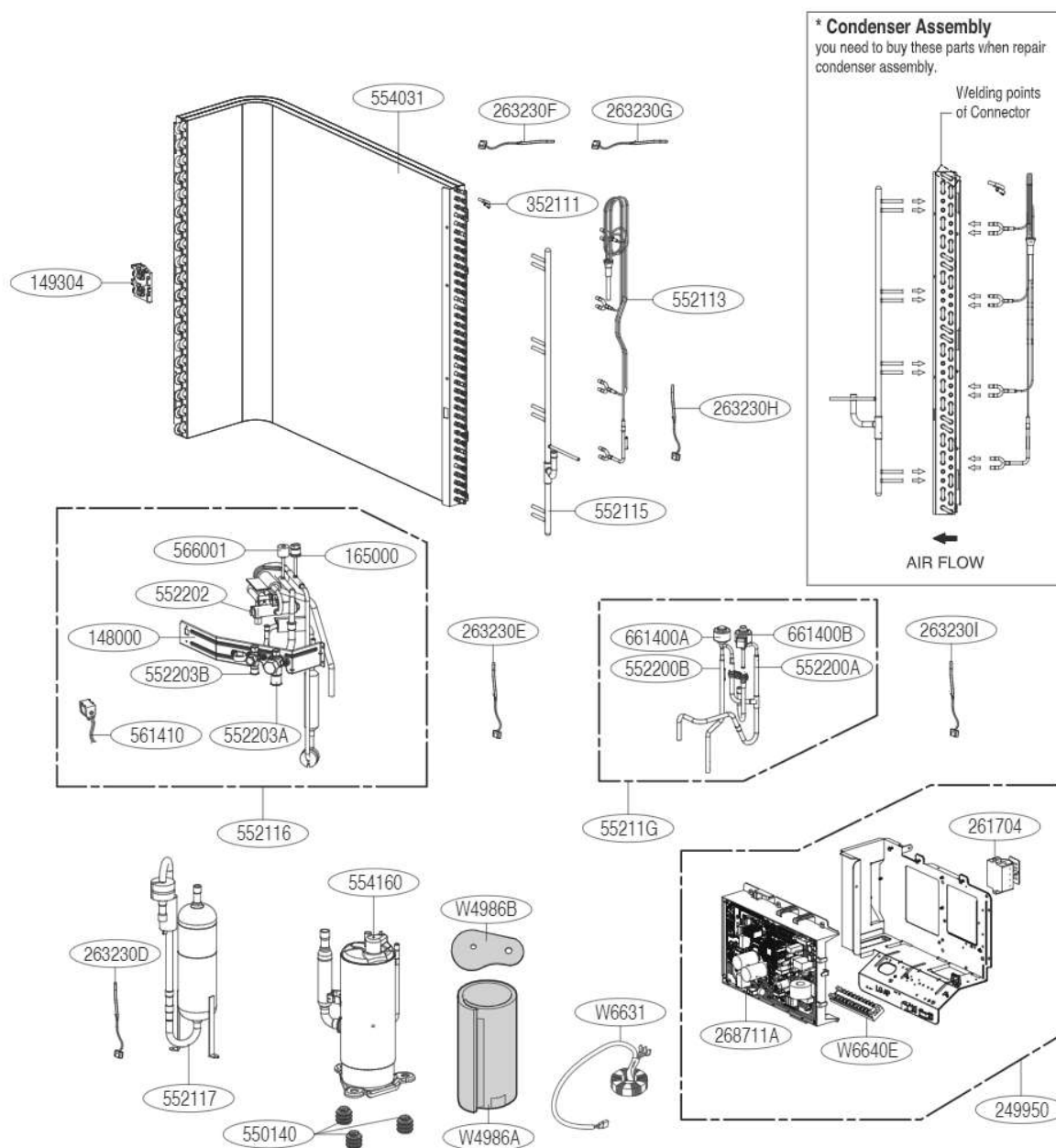
Panel, Front (Until Jan. 31, 2021)



Panel, Front (From Feb. 1, 2021)



Location No.	Description	Production date	
		Until Jan. 31, 2021	From Feb. 1, 2021
437211	Panel Assembly, Front(Outdoor)	AGL72770337	AGL72770348
237202	Panel, Front	MGC53382901	MGC66162401
349480	Orifice	MFX63082101	
435301	Grille, Discharge	MDX64291901	MDX64291901

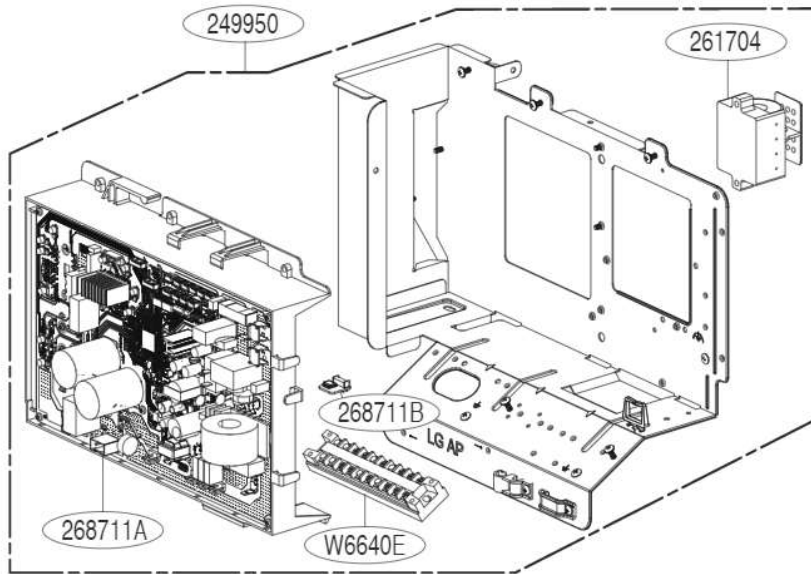


Thermistor Assembly,NTC

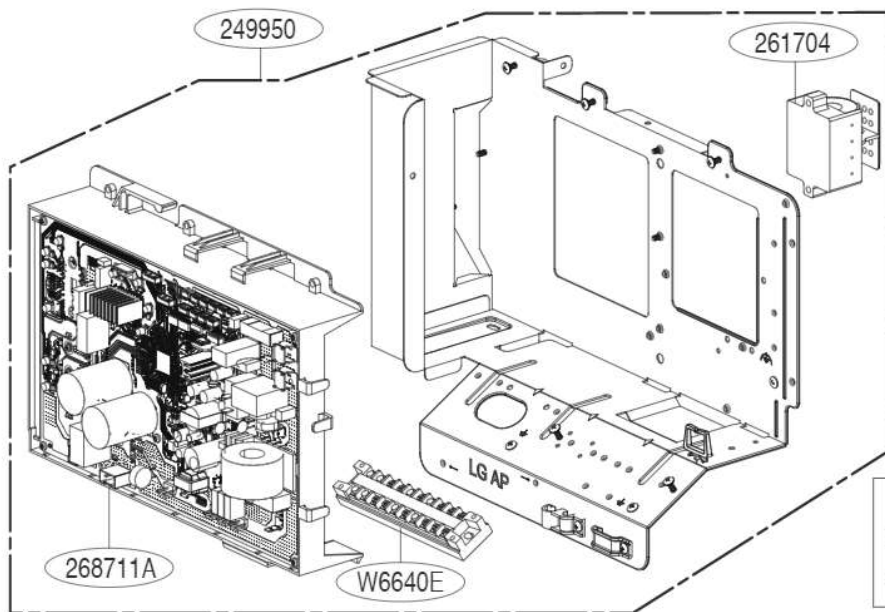
Location No.	Thermistor Description	Housing Color
263230D	Compressor-suction pipe temperature sensor	Green
263230E	Compressor-discharge pipe temperature sensor	Black
263230F	Outdoor air temperature sensor	Yellow
263230G	Outdoor-HEX middle temperature sensor	Brown
263230H	Outdoor-HEX temperature sensor	Violet
263230I	Inlet IHEX temperature sensor	White

Exploded View

Case Assembly,Control Box (Until April, 2021)



Case Assembly,Control Box (From May, 2021)



SVC Bulletin No.
 5kW : DMZ202100048-01
 7kW : DMZ202100049-01
 9kW : DMZ202100050-01

Location No.	Description	P/No. (Production date)	
		Until April,2021	From May, 2021
649950	Case Assembly,Control Box	ABQ30061304	ABQ30061304
268711A	PCB Assembly,Inverter	EBR84691007	EBR84691025 (1Φ 5 kW)
			EBR84691026 (1Φ 7 kW)
			EBR84691027 (1Φ 9 kW)
268711B	PCB Assembly,Sub	EBR85059015 (1Φ 5 kW) EBR85059016 (1Φ 7 kW) EBR85059017 (1Φ 9 kW)	-
W6640E	Connector,Terminal Block	3A00493K	3A00493K
261704	Transformer,Reactor	EBJ61970010	EBJ61970010