



INDICATIVE PRODUCT IMAGE

Needed Data for selection

Refrigerant	R744
Cold Room Temp.	2 °C
Requested capacity	7000 W
ΔT	8 K

Search results

Speed	1450 rpm
Total capacity	7526 W
Calculated ΔT	7 K
Tolerance	7.5 %

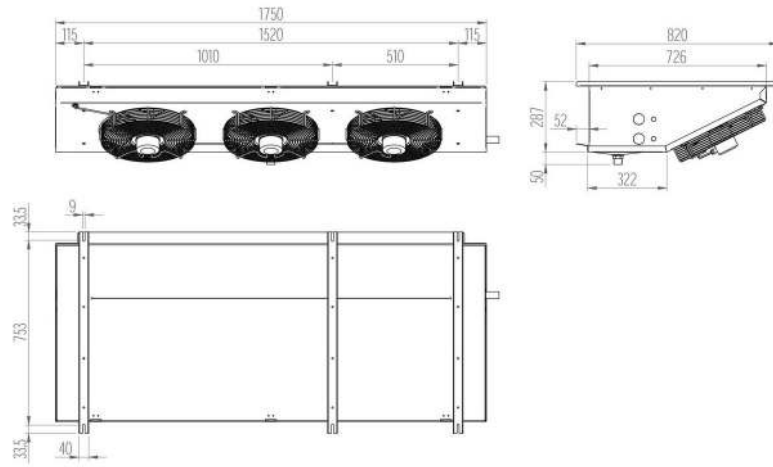
Product file

Code	RSIXB33503ED
Range	RSIX
Model	Ceiling
Application	HBP
PED	0
Rows number	6
Total surface	35.99 m ²
Defrosting (Watt)	4096 W
Net weight	52.3 kg
Inlet connection	12 mm
Outlet connection	16 mm
Drain connection	1" Gas (33mm)
Fin spacing	3.5
Circuit volume	5.36 dm ³

Fan-motor

Type	Rotore esterno "ec"
Fan-motors no.	3
Diameter	350 mm
Power supply	200-240/1/50-60
Low speed	950 rpm
High speed	1450 rpm
Power consumption	480 W
Current consumption	3.9 A
Air flow	4479.9 m ³ /h
Air throw	11 m

Technical data - RSIXB33503ED



Refrigerating capacity table (W) - RSIXB33503ED

High speed - RSIXB33503ED

$\Delta T \setminus$ Cold room Temp	-5 °C	0 °C	2 °C	4 °C	6 °C	8 °C	10 °C	12 °C	15 °C
5 K	2823 ⁽¹⁾	3317 ⁽¹⁾	3812	4306	4800	5123	5446	5933	6419
6 K	4392 ⁽¹⁾	4678 ⁽¹⁾	4964	5250	5536	6104	6671	7030	7388
7 K	5694 ⁽¹⁾	5946 ⁽¹⁾	6198	6450	6702	7168	7633	7929	8224
8 K	7044 ⁽¹⁾	7285 ⁽¹⁾	7526	7766	8007	8342	8676	8943	9210
9 K	8293 ⁽¹⁾	8501 ⁽¹⁾	8710	8918	9126	9385	9644	9920	10196
10 K	9369 ⁽¹⁾	9570 ⁽¹⁾	9772	9973	10174	10400	10625	10867	11109

(1) Application outside the recommended range

Values referred to :
Gas R744



INDICATIVE PRODUCT IMAGE

General features

- RSIX range unit coolers have been designed to be installed inside cold rooms suited for fresh and frozen goods storage.
- This range has the advantage of having extremely compact dimensions and this feature allows applications inside cold rooms with a minimum encumbrance in height.
- RSIX range is available in two different fan diameters and three types of fin spacing according to the needed application.
- The ED version is supplied with mounted defrosting heaters and is suitable for being used at low temperature applications.
- The RSIX range is supplied as standard with EC fan motors (Identified by the letter "B") and blade with special profile for combine higher efficiency and low absorption.
- The heat exchangers of all the range have been designed for operating at a working pressure PS up to 75 bar: this value gives a big advantage in cases of the plant stop (it reduces possible needs of CO2 discharge) and also it enable the possible use of the same model for both low temperature coldrooms (-40°C) up to high temperature applications, close to the air conditioning limits (+15°C)

COIL

- The range consist of two types of coils, both made of aluminium fins and copper tube: 5/16" tube increased thickness with a geometry of 25x21,65, for models with 250mm fan diameter, 12mm K65 tube increased thickness with a geometry of 37,5x32,5 for models with 350mm fan diameter.
- The technical features of the K65 copper tube allow to bear the higher mechanical stress of the RSIX range with 350mm fan motors.
- The model types having 250mm fan diameter are fitted with a coil of 5,3mm fin spacing, suited for applications with a cold room temperature (Tc) from -40°C to +15°C.
- The model Types having 350mm fan diameter are made of two different groups: models with 3,5mm fin spacing suited for cold room temperature (Tc) from -5°C to +15°C, models with 7mm fin spacing suited for cold room temperature (Tc) from -40°C to +4°C.
- The coils are tested with nitrogen at a pressure of 75 bar.

FAN MOTORS

- The fan motor models in use have the following features:
- EC fan motor
- Manufactured following EN 60335-1 laws, with internal thermal protection
- fan diameter 250mm, 28° inclination with special profile: power supply 230V/1/50-60Hz, IP55 protection rate, B insulation class, operating temperature -40°C to +50°C
- fan diameter 350mm, external rotor: power supply 200-240V/1/50-60Hz, IP54 protection rate, B insulation class, operating temperature -40°C a +40°C
- electricis made in conformity with 73/23 CEE Low Tension directive

HOUSING

- The housing is made of aluminium. The manufacturing solutions used give the housing strength and guarantee the absence of vibrations during the functioning. Screws, washers and nuts are made of stainless steel.

OPTIONAL

- Varnished coil
- Drainage pipe heater of 220V/1/50Hz voltage (for different voltages please contact our technical dept).