



INDICATIVE PRODUCT IMAGE

Needed Data for selection

Refrigerant	R744
Cold Room Temp.	2 °C
Requested capacity	4000 W
ΔT	7 K

Search results

Speed	1450 rpm
Total capacity	4268 W
Calculated ΔT	7 K
Tolerance	6.7 %

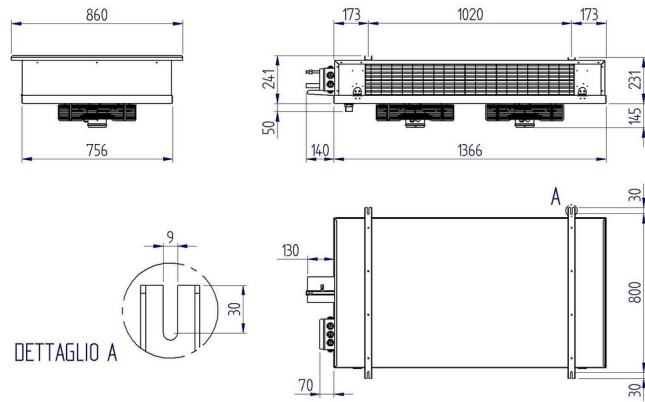
Product file

Code	RDFXB23503ED
Range	RDFX
Model	Ceiling unit c. dual air flow
Application	HBP
PED	0
Rows number	4
Total surface	29.48 m ²
Defrosting (Watt)	2800 W
Net weight	39.1 kg
Inlet connection	12 mm
Outlet connection	16 mm
Drain connection	1" Gas (33mm)
Fin spacing	3,5
Circuit volume	4.26 dm ³

Fan-motor

Type	Rotore esterno ec
Fan-motors no.	2
Diameter	350 mm
Power supply	200-240/1/50-60
Low speed	950 rpm
High speed	1450 rpm
Power consumption (high speed)	320 W
Current consumption (high speed)	2.6 A
Air flow (high speed)	5137.8 m ³ /h
Air throw (high speed)	2X10 m
Power consumption (low speed)	90 W
Current consumption (low speed)	0.8 A
Air flow (low speed)	3265.1 m ³ /h
Air throw (low speed)	2X8 m

Technical data - RDFXB23503ED



Refrigerating capacity table (W) - RDFXB23503ED

$\Delta T \setminus$ Cold room Temp	-5 °C	0 °C	2 °C	4 °C	6 °C	8 °C	10 °C	12 °C	15 °C
5 K	1728 ⁽¹⁾	2076 ⁽¹⁾	2425	2773	3121	3400	3679	4093	4506
6 K	2616 ⁽¹⁾	2901 ⁽¹⁾	3187	3472	3757	4232	4707	5104	5501
7 K	3770 ⁽¹⁾	4019 ⁽¹⁾	4268	4517	4766	5290	5814	6117	6420
8 K	5018 ⁽¹⁾	5224 ⁽¹⁾	5431	5637	5843	6343	6842	7104	7365
9 K	6172 ⁽¹⁾	6360 ⁽¹⁾	6548	6736	6924	7323	7721	7956	8190
10 K	7319 ⁽¹⁾	7492 ⁽¹⁾	7665	7837	8010	8203	8395	8681	8966

(1) Application outside the recommended range

$\Delta T \setminus$ Cold room Temp	-5 °C	0 °C	2 °C	4 °C	6 °C	8 °C	10 °C	12 °C	15 °C
5 K	1467 ⁽¹⁾	1701 ⁽¹⁾	1936	2170	2404	2655	2906	3279	3651
6 K	2133 ⁽¹⁾	2300 ⁽¹⁾	2466	2633	2799	3257	3715	4049	4382
7 K	2919 ⁽¹⁾	3128 ⁽¹⁾	3338	3547	3756	4128	4500	4808	5116
8 K	3788 ⁽¹⁾	3995 ⁽¹⁾	4203	4410	4617	5022	5427	5755	6082
9 K	4711 ⁽¹⁾	4894 ⁽¹⁾	5077	5260	5443	5902	6360	6604	6847
10 K	5568 ⁽¹⁾	5744 ⁽¹⁾	5919	6095	6270	6479	6687	7127	7566

(1) Application outside the recommended range

Values referred to :

Gas R744



INDICATIVE PRODUCT IMAGE

General features

- RDX range unit coolers have been designed to be installed inside cold rooms suited for fresh and frozen goods storage.
- The main feature of this range is of throwing air from both sides; this allow the unit cooler to be placed in the middle of the cold room ceiling giving a uniform air flow and, as a result, the best product conservation
- RDX range is available in two different fan diameters and three types of fin spacing according to the needed application.
- The ED version is supplied with mounted defrosting heaters and is suitable for being used at low temperature applications.
- The RDX range is supplied as standard with EC fan motors (Identified by the letter "B") and blade with special profile for combine higher efficiency and low absorption.
- The heat exchangers of all the range have been designed for operating at a working pressure PS up to 80 bar: this value gives a big advantage in cases of the plant stop (it reduces possible needs of CO2 discharge) and also it enable the possible use of the same model for both low temperature coldrooms (-40°C) up to high temperature applications, close to the air conditioning limits (+15°C)

COIL

- The range consist of two types of coils, both made of aluminium fins and copper tube: 5/16" tube increased thickness with a geometry of 25x21,65, for models with 250mm fan diameter, 12mm K65 tube increased thickness with a geometry of 37,5x32,5 for models with 350mm fan diameter.
- The model types having 250mm fan diameter are fitted with a coil of 4,5mm/9mm fin spacing, suited for applications with a cold room temperature (Tc) from -30°C to +15°C.
- The model types having 350mm fan diameter are made of two different groups: models with 3,5mm fin spacing suited for cold room temperature (Tc) from -5°C to +15°C; models with 7mm fin spacing suited for cold room temperature (Tc) from -40°C to +4°C.
- The coils are tested with nitrogen at a pressure of 80 bar.

FAN MOTORS

- The fan motor models in use have the following features:
- Manufactured following EN 60335-1 laws, with internal thermal protection
- fan diameter 250 mm, 28° inclination with special profile: power supply 230V/1/50-60Hz, IP55 protection rate, B insulation class, operating temperature from -40°C to +50°C
- fan diameter 350mm external rotor: power supply 220-240V/1/50Hz, double speed (950-1450 rpm), IP54 protection rate, B insulation class, operating temperature from -40°C to +40°C
- electricis made in conformity with 2006/95/CE low tension directive

HOUSING

- The housing is made of aluminium. The manufacturing solutions used give the housing strength and guarantee the absence of vibrations during the functioning. Screws, washers and nuts are made of stainless steel.

OPTIONAL

- Varnished coil
- Drainage pipe heater of 220V/1/50Hz voltage (for different voltages please contact our technical dept).