



INDICATIVE PRODUCT IMAGE

Needed Data for selection

Refrigerant	R744
Cold Room Temp.	2 °C
Requested capacity	7500 W
ΔT	7 K

Search results

Speed	1450 rpm
Total capacity	8041 W
Calculated ΔT	7 K
Tolerance	7.2 %

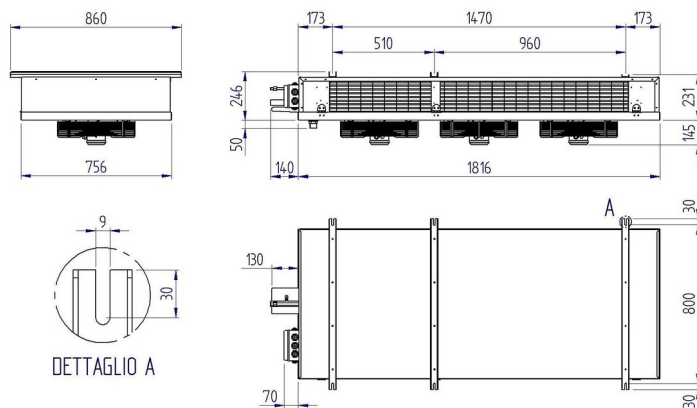
Product file

Code	RDFXB33503
Range	RDFX
Model	Ceiling unit c. dual air flow
Application	HBP
PED	0
Rows number	4
Total surface	42.06 m ²
Net weight	50.2 kg
Inlet connection	12 mm
Outlet connection	16 mm
Drain connection	1" Gas (33mm)
Fin spacing	3,5
Circuit volume	5.97 dm ³

Fan-motor

Type	Rotore esterno ec
Fan-motors no.	3
Diameter	350 mm
Power supply	200-240/1/50-60
Low speed	950 rpm
High speed	1450 rpm
Power consumption (high speed)	480 W
Current consumption (high speed)	3.9 A
Air flow (high speed)	7543.4 m ³ /h
Air throw (high speed)	2X11 m
Power consumption (low speed)	135 W
Current consumption (low speed)	1.2 A
Air flow (low speed)	4779.1 m ³ /h
Air throw (low speed)	2X9 m

Technical data - RDFXB33503



Refrigerating capacity table (W) - RDFXB33503

$\Delta T \setminus$ Cold room Temp	-5 °C	0 °C	2 °C	4 °C	6 °C	8 °C	10 °C	12 °C	15 °C
5 K	4293 ⁽¹⁾	4824 ⁽¹⁾	5356	5887	6418	6688	6957	7344	7730
6 K	5918 ⁽¹⁾	6218 ⁽¹⁾	6517	6817	7116	7603	8089	8401	8713
7 K	7572 ⁽¹⁾	7807 ⁽¹⁾	8041	8276	8510	8819	9128	9400	9671
8 K	9000 ⁽¹⁾	9203 ⁽¹⁾	9407	9610	9813	10053	10292	10561	10829
9 K	10228 ⁽¹⁾	10444 ⁽¹⁾	10661	10877	11093	11249	11404	11678	11952
10 K	11390 ⁽¹⁾	11607 ⁽¹⁾	11823	12040	12256	12479	12702	12871	13039

(1) Application outside the recommended range

$\Delta T \setminus$ Cold room Temp	-5 °C	0 °C	2 °C	4 °C	6 °C	8 °C	10 °C	12 °C	15 °C
5 K	3105 ⁽¹⁾	3562 ⁽¹⁾	4019	4475	4932	5236	5540	6003	6466
6 K	4545 ⁽¹⁾	4813 ⁽¹⁾	5081	5349	5617	6163	6708	7061	7413
7 K	5761 ⁽¹⁾	6000 ⁽¹⁾	6239	6478	6717	7177	7636	7936	8236
8 K	7049 ⁽¹⁾	7290 ⁽¹⁾	7531	7772	8013	8336	8659	8942	9225
9 K	8266 ⁽¹⁾	8473 ⁽¹⁾	8680	8886	9093	9352	9610	9897	10183
10 K	9286 ⁽¹⁾	9498 ⁽¹⁾	9709	9921	10132	10356	10580	10842	11104

(1) Application outside the recommended range

Values referred to :

Gas R744



INDICATIVE PRODUCT IMAGE

General features

- RDX range unit coolers have been designed to be installed inside cold rooms suited for fresh and frozen goods storage.
- The main feature of this range is of throwing air from both sides; this allow the unit cooler to be placed in the middle of the cold room ceiling giving a uniform air flow and, as a result, the best product conservation
- RDX range is available in two different fan diameters and three types of fin spacing according to the needed application.
- The ED version is supplied with mounted defrosting heaters and is suitable for being used at low temperature applications.
- The RDX range is supplied as standard with EC fan motors (Identified by the letter "B") and blade with special profile for combine higher efficiency and low absorption.
- The heat exchangers of all the range have been designed for operating at a working pressure PS up to 80 bar: this value gives a big advantage in cases of the plant stop (it reduces possible needs of CO2 discharge) and also it enable the possible use of the same model for both low temperature coldrooms (-40°C) up to high temperature applications, close to the air conditioning limits (+15°C)

COIL

- The range consist of two types of coils, both made of aluminium fins and copper tube: 5/16" tube increased thickness with a geometry of 25x21,65, for models with 250mm fan diameter, 12mm K65 tube increased thickness with a geometry of 37,5x32,5 for models with 350mm fan diameter.
- The model types having 250mm fan diameter are fitted with a coil of 4,5mm/9mm fin spacing, suited for applications with a cold room temperature (Tc) from -30°C to +15°C.
- The model types having 350mm fan diameter are made of two different groups: models with 3,5mm fin spacing suited for cold room temperature (Tc) from -5°C to +15°C; models with 7mm fin spacing suited for cold room temperature (Tc) from -40°C to +4°C.
- The coils are tested with nitrogen at a pressure of 80 bar.

FAN MOTORS

- The fan motor models in use have the following features:
- Manufactured following EN 60335-1 laws, with internal thermal protection
- fan diameter 250 mm, 28° inclination with special profile: power supply 230V/1/50-60Hz, IP55 protection rate, B insulation class, operating temperature from -40°C to +50°C
- fan diameter 350mm external rotor: power supply 220-240V/1/50Hz, double speed (950-1450 rpm), IP54 protection rate, B insulation class, operating temperature from -40°C to +40°C
- electric made in conformity with 2006/95/CE low tension directive

HOUSING

- The housing is made of aluminium. The manufacturing solutions used give the housing strength and guarantee the absence of vibrations during the functioning. Screws, washers and nuts are made of stainless steel.

OPTIONAL

- Varnished coil
- Drainage pipe heater of 220V/1/50Hz voltage (for different voltages please contact our technical dept).